

SPARE PART LIST - BELT CONVEYORS, 230V

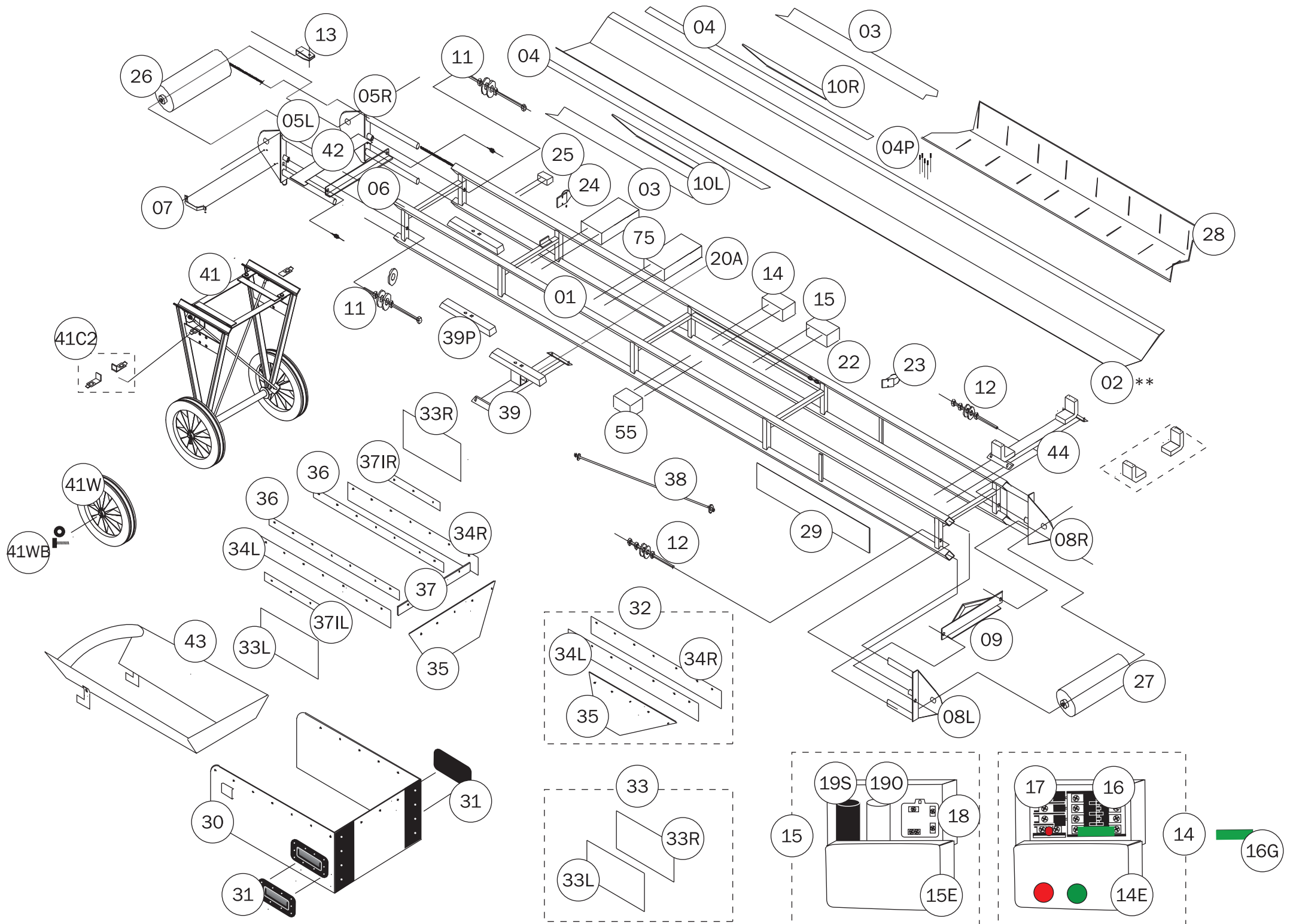


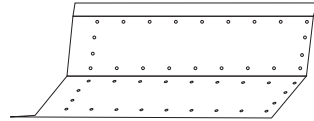
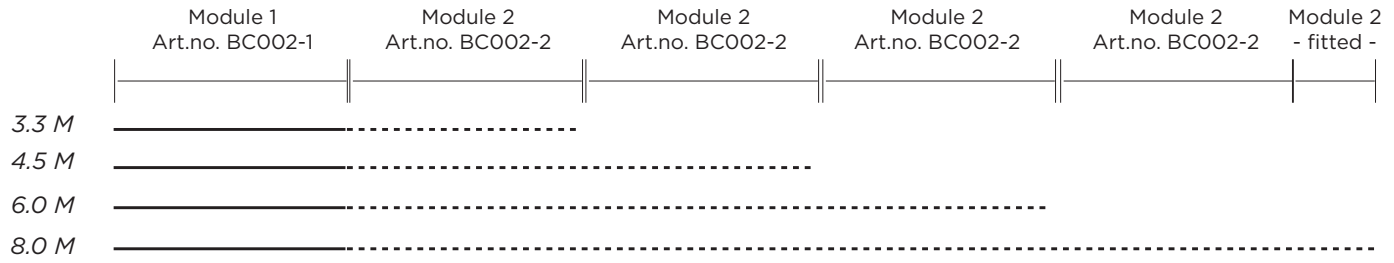
GB-31.10.18

POS.NO.	DESCRIPTION	ART. NO.	POS.NO.	DESCRIPTION	ART. NO.
1	Alu. frame	XX01	23	CE power intake, 230V	BC023
	— Please specify: 2.0 M - 3.3 M - 4.5 M - 6.0 M - 8.0 M		24	CE power outlet, 230V, by the motor.....	BC024
2	Steel tray, module 1.....	BC002-1**	25	Connector box, by the motor	BC025
	Steel tray, module 2	BC002-2**	26	Motor.....	XX26
	Reinforcement plate for steel tray*.....	BC002-3**		— Please specify: 2.0 M - 3.3 M - 4.5 M - 6.0 M - 8.0 M	
	— Please specify: 2.0 M - 3.3 M - 4.5 M - 6.0 M - 8.0 M		27	Alu. back roller	BC027
3	PVC side batten (8 x 55 mm), for 1 side.....	XX03	28	PVC belt	XX28
	— Please specify: 2.0 M - 3.3 M - 4.5 M - 6.0 M - 8.0 M			— Please specify: 2.0 M - 3.3 M - 4.5 M - 6.0 M - 8.0 M	
4	Alu. side batten, for 1 side.....	XX04	29	Side plate, (1 pc.).....	BC029
	— Please specify: 2.0 M - 3.3 M - 4.5 M - 6.0 M - 8.0 M		30	Feeder box, standard, complete	BC030
4 P	Rivets for alu.side batten, for 1 side	XX04-P	31	Handle for feeder box, new model, (1 pc.).....	BC031
	— Please specify: 2.0 M - 3.3 M - 4.5 M - 6.0 M - 8.0 M		32	PVC for feeder box, complete set (green).....	BC032
5 L	Motor fitting, left side, complete.....	BC005-L	33	Rubber for feeder box, complete set (black)	BC033
5 R	Motor fitting, right side (elec. components), complete	BC005-R	34	Separate side-PVC for feeder box, (2 pcs. — 1 x left, 1 x right) ..	BC034
6	Front scraper by the motor, complete	BC006	35	Separate back-PVC for feeder box, (1 pc.).....	BC035
7	Handle for motor fitting, (1 pc.).....	BC007	36	Alu. batten for side-PVC, feeder box, 64 cm, (1 pc.).....	BC036
8 L	Roller fitting, left side.....	BC008-L	37	Alu. batten for end-PVC, feeder box, 44 cm, (1 pc.).....	BC037-B
8 R	Roller fitting, right side.....	BC008-R		Alu. batten for rubber, feeder box, 30 cm, (1 pc.).....	BC037-I
9	Back scraper, "Plough", complete.....	BC009	38	Threaded rod, zinc, 6 x 750 mm, (1 pc.)	BC038
10 L	End piece, "Horn", left side.....	BC010-L		6.0 M (6 pcs.), 8.0 M (12 pcs.)	
10 R	End piece, "Horn", right side	BC010-R	39	Undersledge, complete.....	BC039
11	Threaded rod, 200 mm, Ø12, (2 pcs.)	BC011		4.5 M (1 pc.), 6.0 M (2 pcs.), 8.0 M (3 pcs.)	
12	Threaded rod, 120 mm, Ø12, (2 pcs.)	BC012	39 P	Separate runner for undersledge.....	BC039-P
13	Leads protector, black PVC	BC013-P		4.5 M (1 pc.), 6.0 M (2 pcs.), 8.0 M (3 pcs.)	
	Leads protector, stainless steel.....	BC013-S	41	Undercarriage, complete.....	BC041
14	Power box with start/stop, complete, 230V	BC014	41 C2	Handles for undercarriage, (2 pcs.)	BC041-C2
14 E	Power box with start/stop — without elec. components.....	BC014-E	41 W	Wheel for undercarriage, Ø300 mm, (1 pc.).....	BC041-W
15	Power box, P1, complete, 230V.....	BC015	41 WB	Bolt and washer for wheel Ø300 mm, set for 1 wheel	BC041-WB
15 E	Power box P1 — without elec. components.....	BC015-E	42	Safety plate, by the motor	BC042
16	Protective motor switch, model K3, 230V	BC016	43	Feed hopper for wheelbarrow	BC043*
16 G	Green button for protective motor switch, model K3, 230V	BC016-G	44	Side controller, complete set incl. alu. bridge w/sliding profiles	BC044
17	Thermal circuit relay, model K3, 230V.....	BC017	44 P	Sliding profiles, "Pehd", (2 pcs.)	BC044-P
18	Self-adjusting relay, new model.....	BC018	55	Emergency switch, complete.....	BC055
	Starter switch = BC016 + BC017 + BC018		66	Repair set for PVC belt: Glue and hardener, PVC patch 100 x 100 mm (1 pc.), PVC patch 160 x160 mm (1 pc.), PVC patch Ø120 mm (1 pc.), standard carriers — 10 mm high (1 m.) PVC line (1 m.).....	BC066
19 O	Operating capacitor 25 µF	BC019-O		Truck pockets (2 pcs.)	BC075*
19 S	Starting capacitor 63 µF.....	BC019-S	75	Truck pockets (2 pcs.)	BC075*
20	Lead, cable with 3 leads.....	XX20	99	Alu. frame incl. steel trays, reinforc. plate and side battens.....	BC099
	— Please specify: 2.0 M - 3.3 M - 4.5 M - 6.0 M - 8.0 M			— Please specify: 2.0 M - 3.3 M - 4.5 M - 6.0 M - 8.0 M	
20 A	Lead, cable with 7 leads.....	XX20 A			
	— Please specify: 2.0 M - 3.3 M - 4.5 M - 6.0 M - 8.0 M				
21	CE adaptor, CE-16, w/plastic nuts M20	BC021			
22	Rubber seal (leading-in).....	BC022			

* OPTIONAL

** Please see exploded drawing for further details





Reinforcement plate
- optional but recommended -
Art.no. BC002-3

